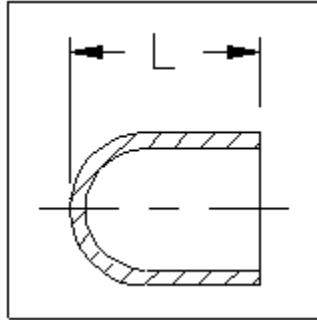


HDPE PE4710
End Cap, IPS Molded
AWWA C901 or C906



Dimensions and weights are approximate and subject to change. Please call for sizes not listed.

| IPS Pipe Size | Nominal OD (in) | Dimension Ratio (DR) | Dimension (in) | Weight (lbs) |
|---------------|-----------------|----------------------|----------------|--------------|
| | | | L | |
| 3/4" | 1.050 | 11 | 2 | 0.1 |
| 1" | 1.315 | 11 | 2 3/8 | 0.1 |
| 1 1/4" | 1.660 | 11 | 3 1/4 | 0.1 |
| 1 1/2" | 1.900 | 11 | 3 5/8 | 0.3 |
| 3" | 3.500 | 17 | 4 | 1 |
| | | 11 | | |
| 4" | 4.500 | 17 | 4 1/4 | 2 |
| | | 11 | | |
| 6" | 6.625 | 17 | 5 1/4 | 3 |
| | | 11 | | |
| 8" | 8.625 | 17 | 5 | 5 |
| | | 11 | | |

Revised 02/23/2017

| | | | |
|----------------------|--|---------------------|-------------------------|
| <i>San Francisco</i> | <i>511 Tunnel Avenue, Brisbane, CA 94005</i> | <i>415-467-4630</i> | <i>FAX 415-467-1010</i> |
| <i>Los Angeles</i> | <i>1304 E. San Bernardino Ave., San Bernardino, CA 92408</i> | <i>909-799-7800</i> | <i>FAX 909-799-5558</i> |
| <i>Bakersfield</i> | <i>4039-C Well Tech Way, Bakersfield, CA 93308</i> | <i>661-589-7300</i> | <i>FAX 661-589-7377</i> |
| <i>Reno</i> | <i>675-B Edison Way, Reno, NV 89502</i> | <i>775-856-1888</i> | <i>FAX 775-856-1844</i> |