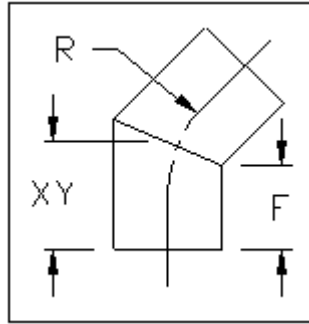


HDPE PE4710  
Elbow, 45° IPS Fabricated  
AWWA C906



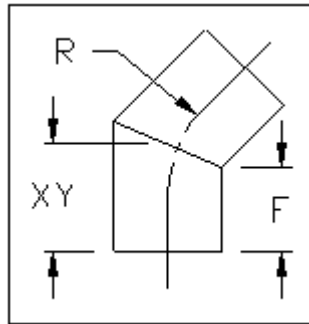
Dimensions and weights are approximate and subject to change. Please call for sizes not listed.

IPS Pipe Size	Nominal OD (in)	Dimension Ratio (DR)	Dimension (in)			Weight (lbs)
			R	F	XY	
14"	14.000	17	14	8	11	27
		11				40
16"	16.000	17	15	8	12	37
		11				55
18"	18.000	17	16	8	12	47
		11				70
20"	20.000	17	17	8	12	60
		11				90
22"	22.000	17	23	8	13	76
		11				114
24"	24.000	17	24	8	13	94
		11				141

Revised 02/13/2017

<i>San Francisco</i>	<i>511 Tunnel Avenue, Brisbane, CA 94005</i>	<i>415-467-4630</i>	<i>FAX 415-467-1010</i>
<i>Los Angeles</i>	<i>1304 E. San Bernardino Ave., San Bernardino, CA 92408</i>	<i>909-799-7800</i>	<i>FAX 909-799-5558</i>
<i>Bakersfield</i>	<i>4039-C Well Tech Way, Bakersfield, CA 93308</i>	<i>661-589-7300</i>	<i>FAX 661-589-7377</i>
<i>Reno</i>	<i>675-B Edison Way, Reno, NV 89502</i>	<i>775-856-1888</i>	<i>FAX 775-856-1844</i>

HDPE  
Elbow, 45° IPS Fabricated  
AWWA C906



Dimensions and weights are approximate and subject to change. Please call for sizes not listed.

IPS Pipe Size	Nominal OD (in)	Dimension Ratio (DR)	Dimension (in)			Weight (lbs)
			R	F	XY	
28"	28.000	17	38	14	20	198
		11				295
30"	30.000	17	38	14	20	228
		11				339
32"	32.000	17	38	14	21	266
		11				396
34"	34.000	17	38	14	21	307
		11				458
36"	36.000	17	38	14	22	353
		11				525
42"	42.000	17	50	21	30	353
		11				525
48"	48.000	26	51	21	31	742
		17				905
54"	54.000	26	51	21	32	775
		17				969

Revised 02/13/2017

San Francisco	511 Tunnel Avenue, Brisbane, CA 94005	415-467-4630	FAX 415-467-1010
Los Angeles	1304 E. San Bernardino Ave., San Bernardino, CA 92408	909-799-7800	FAX 909-799-5558
Bakersfield	4039-C Well Tech Way, Bakersfield, CA 93308	661-589-7300	FAX 661-589-7377
Reno	675-B Edison Way, Reno, NV 89502	775-856-1888	FAX 775-856-1844