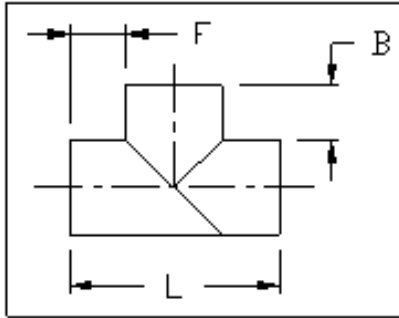


HDPE PE4710  
Tee, IPS Fabricated  
AWWA C906



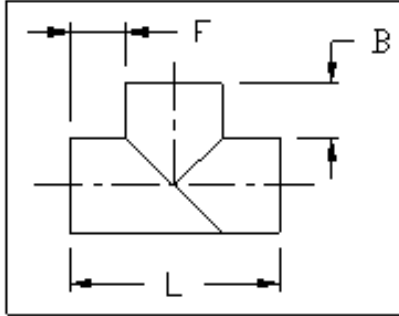
Dimensions and weights are approximate and subject to change. Please call for sizes not listed.

| IPS Pipe Size | Nominal OD (in) | Dimension Ratio(DR) | Dimension (in) |   |    | Weight (lbs) |
|---------------|-----------------|---------------------|----------------|---|----|--------------|
|               |                 |                     | L              | F | B  |              |
| 14"           | 14.000          | 17                  | 30             | 8 | 8  | 46           |
|               |                 | 11                  |                |   |    | 69           |
| 16"           | 16.000          | 17                  | 32             | 8 | 8  | 76           |
|               |                 | 11                  |                |   |    | 113          |
| 18"           | 18.000          | 17                  | 34             | 8 | 14 | 100          |
|               |                 | 11                  |                |   |    | 149          |
| 20"           | 20.000          | 17                  | 36             | 8 | 14 | 140          |
|               |                 | 11                  |                |   |    | 209          |
| 22"           | 22.000          | 17                  | 38             | 8 | 14 | 178          |
|               |                 | 11                  |                |   |    | 262          |
| 24"           | 24.000          | 17                  | 40             | 8 | 36 | 216          |
|               |                 | 11                  |                |   |    | 322          |

Revised 02/23/2017

|                      |  |                     |                         |
|----------------------|--|---------------------|-------------------------|
| <i>San Francisco</i> | <i>511 Tunnel Avenue, Brisbane, CA 94005</i>                 | <i>415-467-4630</i> | <i>FAX 415-467-1010</i> |
| <i>Los Angeles</i>   | <i>1304 E. San Bernardino Ave., San Bernardino, CA 92408</i> | <i>909-799-7800</i> | <i>FAX 909-799-5558</i> |
| <i>Bakersfield</i>   | <i>4039-C Well Tech Way, Bakersfield, CA 93308</i>           | <i>661-589-7300</i> | <i>FAX 661-589-7377</i> |
| <i>Reno</i>          | <i>675-B Edison Way, Reno, NV 89502</i>                      | <i>775-856-1888</i> | <i>FAX 775-856-1844</i> |

HDPE PE4710  
Tee, IPS Fabricated  
AWWA C906



Dimensions and weights are approximate and subject to change. Please call for sizes not listed.

| IPS Pipe Size | Nominal OD (in) | Dimension Ratio(DR) | Dimension (in) |    |    | Weight (lbs) |
|---------------|-----------------|---------------------|----------------|----|----|--------------|
|               |                 |                     | L              | F  | B  |              |
| 28"           | 28.000          | 17                  | 72             | 22 | 36 | 403          |
|               |                 | 11                  |                |    |    | 655          |
| 30"           | 30.000          | 17                  | 72             | 21 | 42 | 475          |
|               |                 | 11                  |                |    |    | 772          |
| 32"           | 32.000          | 17                  | 74             | 21 | 42 | 799          |
|               |                 | 11                  |                |    |    | 1,300        |
| 36"           | 36.000          | 17                  | 78             | 21 | 42 | 1,242        |
|               |                 | 11                  |                |    |    | 2,018        |
| 42"           | 42.000          | 17                  | 96             | 27 | 42 | 1,440        |
|               |                 | 11                  |                |    |    | 1,772        |
| 48"           | 48.000          | 26                  | 96             | 24 | 42 | 1,953        |
|               |                 | 17                  |                |    |    | 2,404        |

Revised 02/23/2017

|               |   |              |                  |
|---------------|---|--------------|------------------|
| San Francisco | 511 Tunnel Avenue, Brisbane, CA 94005                 | 415-467-4630 | FAX 415-467-1010 |
| Los Angeles   | 1304 E. San Bernardino Ave., San Bernardino, CA 92408 | 909-799-7800 | FAX 909-799-5558 |
| Bakersfield   | 4039-C Well Tech Way, Bakersfield, CA 93308           | 661-589-7300 | FAX 661-589-7377 |
| Reno          | 675-B Edison Way, Reno, NV 89502                      | 775-856-1888 | FAX 775-856-1844 |