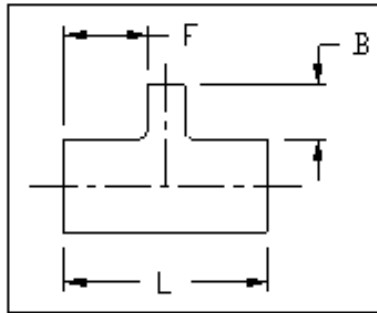


HDPE PE4710  
Tee, IPS Molded Reducing, 4" Branch  
AWWA C906



Dimensions and weights are approximate and subject to change. Please call for sizes not listed.

IPS Pipe Size		Dimension Ratio (DR)	Dimension (in)			Weight (lbs)
Main	Branch		L	F	B	
6"	4"	17	18	4¾	5¾	6.7
		11				9.4
8"	4"	17	23½	5⅝	7½	18
		11				23
10"	4"	17	27⅜	6¼	8⅝	32
		11				42

Revised 02/23/2017

<i>San Francisco</i>	<i>511 Tunnel Avenue, Brisbane, CA 94005</i>	<i>415-467-4630</i>	<i>FAX 415-467-1010</i>
<i>Los Angeles</i>	<i>1304 E. San Bernardino Ave., San Bernardino, CA 92408</i>	<i>909-799-7800</i>	<i>FAX 909-799-5558</i>
<i>Bakersfield</i>	<i>4039-C Well Tech Way, Bakersfield, CA 93308</i>	<i>661-589-7300</i>	<i>FAX 661-589-7377</i>
<i>Reno</i>	<i>675-B Edison Way, Reno, NV 89502</i>	<i>775-856-1888</i>	<i>FAX 775-856-1844</i>