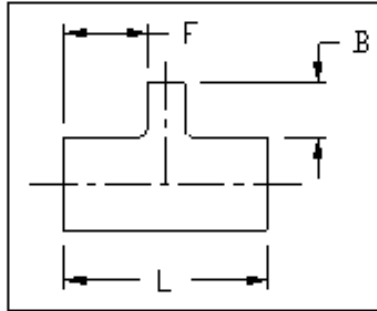


HDPE PE4710
Tee, IPS Molded Reducing, 6" Branch
AWWA C906



Dimensions and weights are approximate and subject to change. Please call for sizes not listed.

IPS Pipe Size		Dimension Ratio (DR)	Dimension (in)			Weight (lbs)
Main	Branch		L	F	B	
8"	6"	17	23½	5⅝	7½	19
		11				24
10"	6"	17	27⅜	6¼	8⅝	33
		11				44
12"	6"	17	31⅜	7½	9½	47
		11				63

Revised 02/23/2017

<i>San Francisco</i>	<i>511 Tunnel Avenue, Brisbane, CA 94005</i>	<i>415-467-4630</i>	<i>FAX 415-467-1010</i>
<i>Los Angeles</i>	<i>1304 E. San Bernardino Ave., San Bernardino, CA 92408</i>	<i>909-799-7800</i>	<i>FAX 909-799-5558</i>
<i>Bakersfield</i>	<i>4039-C Well Tech Way, Bakersfield, CA 93308</i>	<i>661-589-7300</i>	<i>FAX 661-589-7377</i>
<i>Reno</i>	<i>675-B Edison Way, Reno, NV 89502</i>	<i>775-856-1888</i>	<i>FAX 775-856-1844</i>