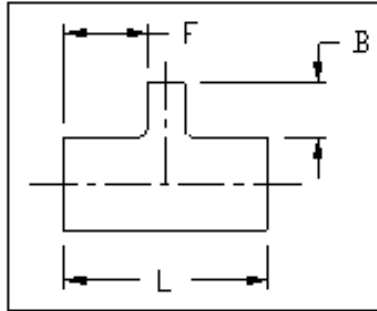


HDPE PE4710  
Tee, IPS Molded Reducing, 8" & 10" Branch  
AWWA C906



Dimensions and weights are approximate and subject to change. Please call for sizes not listed.

IPS Pipe Size		Dimension Ratio (DR)	Dimension (in)			Weight (lbs)
Main	Branch		L	F	B	
10"	8"	17	27 <sup>3</sup> / <sub>8</sub>	6 <sup>1</sup> / <sub>4</sub>	8 <sup>3</sup> / <sub>8</sub>	35
		11				46
12"	8"	17	31 <sup>3</sup> / <sub>8</sub>	7 <sup>1</sup> / <sub>2</sub>	9 <sup>1</sup> / <sub>2</sub>	49
		11				67
12"	10"	17				53
		11				69

Revised 02/23/2017

<i>San Francisco</i>	<i>511 Tunnel Avenue, Brisbane, CA 94005</i>	<i>415-467-4630</i>	<i>FAX 415-467-1010</i>
<i>Los Angeles</i>	<i>1304 E. San Bernardino Ave., San Bernardino, CA 92408</i>	<i>909-799-7800</i>	<i>FAX 909-799-5558</i>
<i>Bakersfield</i>	<i>4039-C Well Tech Way, Bakersfield, CA 93308</i>	<i>661-589-7300</i>	<i>FAX 661-589-7377</i>
<i>Reno</i>	<i>675-B Edison Way, Reno, NV 89502</i>	<i>775-856-1888</i>	<i>FAX 775-856-1844</i>